



STATE OF NORTH CAROLINA  
DEPARTMENT OF TRANSPORTATION

ROY COOPER  
GOVERNOR

JAMES H. TROGDON, III  
SECRETARY

February 20, 2018

SCO ID No. 16-12916-01A

## ADDENDUM No. 1

NCDOT LUMBERTON EQUIPMENT SHOP  
Lumberton, NC

ITEM	REFERENCE	DESCRIPTION
------	-----------	-------------

### GENERAL:

1. See Attachment 'A' to this Addendum for the February 13, 2018 Pre-Bid Conference Attendance Sheet.

### DRAWINGS:

1. Drawing C1.1 Refer to Tire Shop to be demolished noted as "78-06-20 1-Story Metal Shop FFE: 144.98". This concrete floor slab is 7"-8" in thickness. This building shall be demolished in its entirety.
2. Drawing S2 Refer to 1/S2 "Mezzanine Framing Plan". The note located in the upper left of the plan refers to the HSS 12x4 girt at the top of masonry. This girt is part of the Pre-Engineered Metal Building (PEMB) package and shall be designed by the PEMB manufacturer.
3. Drawing A10 Doors 110C, 110D, 117B, 117C, 118B, and 120 in F-1 frames shall be 3'-0"x7'-0".
4. Drawing E4.0 Refer to Detail 2/E4.0 and Attachment 'C' of this Addendum. The attached sketch reinstates the keynotes in the detail.

### SPECIFICATIONS:

1. 01 1000 Refer to Specification Section 01 1000 "Summary", Paragraph 1.04. Add Subparagraph D: "Normal contractor working hours shall be between 6:00 AM and 6:00 PM. Requests to allow weekend work shall be considered upon written request as

*Mailing Address:*  
NC DEPARTMENT OF TRANSPORTATION  
FACILITIES MANAGEMENT UNIT  
1525 MAIL SERVICE CENTER  
RALEIGH, NC 27699-1525

*Telephone:* (919) 707-4540  
*Fax:* (919) 715-0399  
*Customer Service:* 1-877-368-4968

*Location:*  
1 SOUTH WILMINGTON STREET  
RALEIGH, NC 27601

*Website:* [www.ncdot.gov](http://www.ncdot.gov)

established in the Pre-Construction meeting. The Contractor shall use his own lock on the site entrance gate and shall be responsible for unlocking and locking the gate securely. The Contractor shall be responsible for the security of his own property, equipment, tools, and all else required for the execution of his contract.”

2. 033511 Refer to Attachment ‘B’ to this Addendum. Add Specification Section 03 3511 “Concrete Floor Finishes” to the Project Manual.
3. 08 3613 Refer to Specification Section 08 3613, Paragraph 2.05.B.1. Overhead Sectional Door power supply shall be 115 V single phase.
4. 13 3419 Refer to Specification Section 13 3419 “Metal Building Systems”, Paragraph 2.01.A “Manufacturers”. Providing compliance with all requirements of the specifications and drawings, the following manufacturers may provide products to be incorporated into the work of this project:
  - a. Nucor Building Systems,
  - b. Metallic Building Company.

Mark D. Gibson RA  
Architectural Supervisor  
NCDOT Facilities Design Unit  
919-707-4550

Cc: Sterling Baker, PE Director NCDOT Facilities Management  
Kim Humiston, PE Devita Associates, Inc.  
Amber Farrelly, PE B&F Consulting  
Mike Mountcastle, PE NCDOT

**RECORD  
OF  
ATTENDANCE**



**FACILITIES MANAGEMENT DIVISION  
FACILITIES DESIGN UNIT**

**ATTACHMENT 'A'**

1525 Mail Services Center  
RALEIGH, NC 27699-1525

1 S. WILMINGTON STREET  
RALEIGH, NC 27601

(919) 707-4540

FAX (919) 715-0399

**DATE:** February 13, 2018

**TIME:** 2:00 PM

**PROJECT:** NCDOT Lumberton Equipment Shop  
**SUBJECT:** Mandatory Pre-Bid Conference

<b>NAME:</b>	<b>Company</b>	<b>Phone/Email</b>
1. Mark Gibson RA	NCDOT Facilities Design	919-707-4550 mdgibson1@ncdot.gov
2. G. KETHU TAYLOR	GREENSTATE	(910) 739-0405 GREENSTATE@NCLRRBIZ.COM
3. Fitz Chavis	Chavis Inc.	910-244-2200 fitz.chavis@chavisinc.com
4. Kevin Jacobs	Kevin K. Jacobs General Cont.	910-739-4656 info@kkjgc.com
5. Ronda Deese	Metcon, Inc	910-521-8013 estimating@metconus.com
6. Derrick Nobles	Metcon, Inc.	910-521-8013 estimating@metconus.com
7. RANDY LINHART	FLANTY & ASSOC. DIST. FOR: STERIL-KONI	703-560-7011 BOB LINHART@ALANTYELFTS.COM
8. Matt Wimsatt	Dimensional Metals	919 441 7857 MattW@DMIMetals.com
9. Bill Worley	Bill Worley & Sons	910-640-7086 bill.worley7086@att.net
10. Benito Avila Ambriz	Daniels & Daniels	919-778-4525 estimating@danddco.com
11. Lane Warden	Pro Construction	910-455-0647 proconn@gmail.com
12. Kyle Woods	MW-Electric	910-843-9811 KylejWoods@mwecinc.com
13. Mike Mashe	McCarter Elect	910-491-0404 mashe@mccarterelectr.com
14. Jimmy Clark	Player Inc.	910 864 2121 ESTIMATING@PLAYERINC.NET
15. Joseph Locklear	Driven Contractors, LLC	910-521-4535 bids@drivencontractors.com
16. Lonna Owens	Driven Contractors, LLC	910 521 4535 bids@drivencontractors.com
17. Jeffrey Andrews	DEVENROE Const. LLC	910-733-2563 JHERMAIS@mol.com
18. Tim Parker	NCDOT Equip	910-618-5541 tparker@ncdot.gov
19. Brice Bell	NCDOT-MAINT.	(910)618-5543 bricebell@ncdot.gov
20. Kim Humiston	Devita Inc	919 985 4404 khumiston@devita inc.com
21. AMBER FARRELY	B&F CONSULTING	919.389.8102 amber.farrelly@bandfconsulting.com
22. Kyle Gunter Avery Thurlo	FB Construction	843-615-7046 <del>KGunter</del> Kyle.Gunter@FBConstruction.com

23.

24. DEL SOUCIER CONSTRUCTION SYSTEMS 910 689-2000

25.

dsoucier@csiol.com

26.

27.

28.

29.

30.

31.

32.

33.

34.

35.

36.

37.

38.

39.

40.

41.

42.

43.

44.

45.

**SECTION 03 3511  
CONCRETE FLOOR FINISHES**

**PART 1 GENERAL**

**1.01 SECTION INCLUDES**

- A. Surface treatments for concrete floors and slabs.

**1.02 ADMINISTRATIVE REQUIREMENTS**

- A. Coordinate the work with concrete floor placement and concrete floor curing.

**1.03 SUBMITTALS**

- A. See Section 01 3000 - Administrative Requirements, for submittal procedures.
- B. Product Data: Manufacturer's published data on each finishing product, including information on compatibility of different products and limitations.

**1.04 DELIVERY, STORAGE, AND HANDLING**

- A. Deliver materials in manufacturer's sealed packaging, including application instructions.

**PART 2 PRODUCTS**

**2.01 DENSIFIERS AND HARDENERS**

- A. Liquid Densifier/Hardener: Penetrating chemical compound that reacts with concrete, filling the pores and dustproofing; for application to concrete after set.
  - 1. Composition: Lithium silicate.
  - 2. Products:
    - a. ARDEX Engineered Cements; ARDEX PC-Finish: [www.ardexamericas.com](http://www.ardexamericas.com).
    - b. Dayton Superior Corporation; Pentra-Hard® Densifier: [www.daytonsuperior.com](http://www.daytonsuperior.com).
    - c. Euclid Chemical Company; ULTRASIL LI+: [www.euclidchemical.com/#sle](http://www.euclidchemical.com/#sle).
    - d. Kaufman Products Inc; SureHard LS: [www.kaufmanproducts.net](http://www.kaufmanproducts.net).
    - e. SpecChem, LLC; LithSeal SC: [www.specchemllc.com/sle](http://www.specchemllc.com/sle).
    - f. W. R. Meadows, Inc; Liqui-Hard Ultra: [www.wrmeadows.com/sle](http://www.wrmeadows.com/sle).

**2.02 SEALERS**

- A. Curing and Sealing Compound, Low Gloss: Liquid, membrane-forming, clear, non-yellowing acrylic; complying with ASTM C1315 Type 1 Class A.
  - 1. Vehicle: Water-based.
  - 2. Manufacturers:
    - a. Dayton Superior Corporation; Cure & Seal 1315 J22WB: [www.daytonsuperior.com/#sle](http://www.daytonsuperior.com/#sle).
    - b. Dayton Superior Corporation; Cure & Seal 1315 EF: [www.daytonsuperior.com/#sle](http://www.daytonsuperior.com/#sle).
    - c. Euclid Chemical Company; DIAMOND CLEAR VOX: [www.euclidchemical.com/#sle](http://www.euclidchemical.com/#sle).
    - d. W. R. Meadows, Inc; VOCOMP-25: [www.wrmeadows.com/#sle](http://www.wrmeadows.com/#sle).
    - e. Substitutions: See Section 01 6000 - Product Requirements.

**PART 3 EXECUTION**

**3.01 EXAMINATION**

- A. Verify that floor surfaces are acceptable to receive the work of this section.
- B. Verify that flaws in concrete have been patched and joints filled with methods and materials suitable for further finishes.

**3.02 GENERAL**

- A. Apply materials in accordance with manufacturer's instructions.

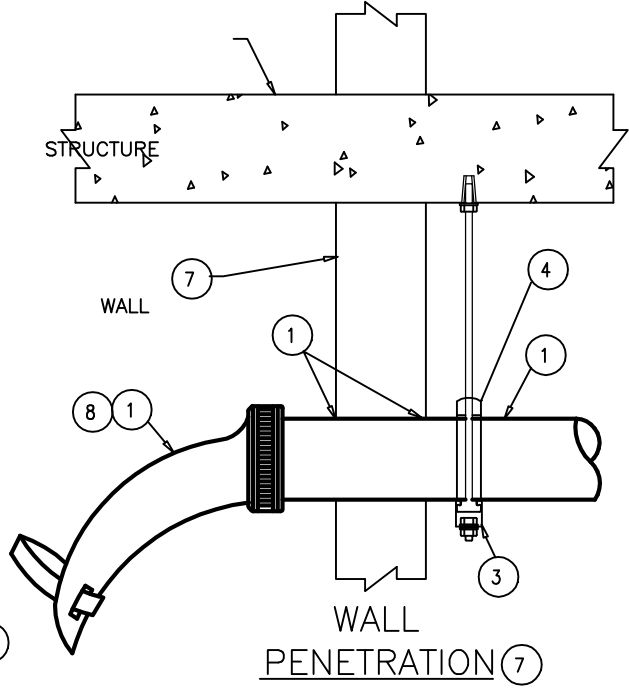
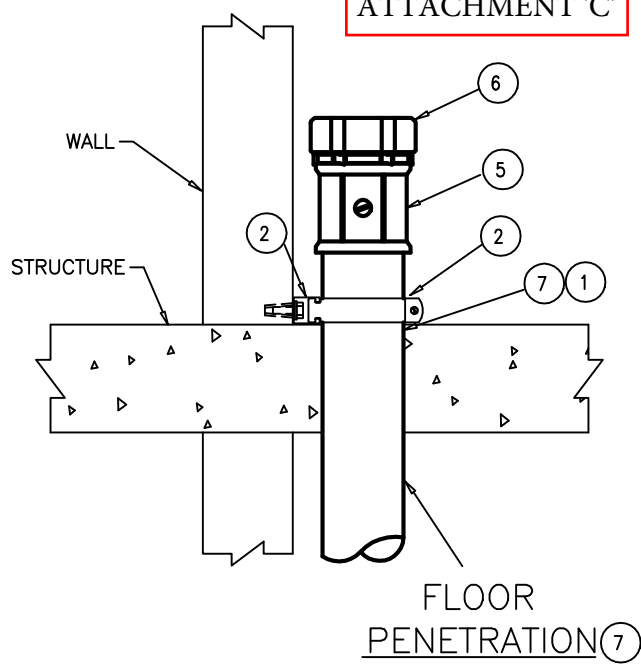


### **3.03 COATING APPLICATION**

- A. Verify that surface is free of previous coatings, sealers, curing compounds, water repellents, laitance, efflorescence, fats, oils, grease, wax, soluble salts, residues from cleaning agents, and other impediments to adhesion.
- B. Protect adjacent non-coated areas from drips, overflow, and overspray; immediately remove excess material.

**END OF SECTION**

**ATTACHMENT 'C'**





**2 RISER CONDUITS AND SLEEVING END FITTINGS DETAIL**  
SCALE: NONE

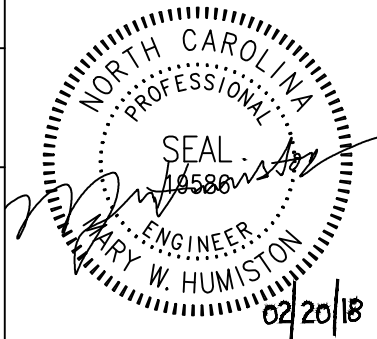
**KEYNOTES:**

- ① 4" EMT CONDUIT, USE COMPRESSION COUPLINGS AND FITTINGS UNLESS OTHERWISE NOTED.
- ② 1-1/2"x1-1/2" 12 GA. 'U' CHANNEL - ANCHOR SECURELY TO WALL.
- ③ 4" EMT STRAPS.
- ④ 'U' CHANNEL AND STRAP SUPPORT - ANCHOR SECURELY TO DECK ABOVE.
- ⑤ COMPRESSION FITTING
- ⑥ 4" PLASTIC INSULATING BUSHING. INSTALL INSULATING, BONDING AND GROUNDING BUSHING AT CLOSET END OF CONDUIT.
- ⑦ FIRESTOP AS REQUIRED.
- ⑧ CABLE SPILLWAY BY CABLE MANAGEMENT CORP. P/N CM-1004 (4-INCH), CM-1002 (2 INCH) OR EQUIVALENT. USE FOR ALL CONDUIT/SLEEVING ENDS

**GENERAL NOTES:**

- 1. PENETRATE TELECOMMUNICATIONS ROOM 4" TO 8" MAXIMUM.
- 2. SIMILAR FOR ALL SIZE EMT CONDUITS.

 <p>ATLANTA • CHARLOTTE • GREENVILLE • RICHMOND 877.4.DEVITA • corp@devita-inc.com DeVita &amp; Associates, Inc. Project : 17500-00 NC Firm License # C-0819</p>	DATE: 02/20/18 DRAWN BY: JML CHECKED BY: MCH	REVISION:  ADDENDUM 1	
	SCO#: 16-12916-01A	REFERENCE DWG: E4.0	DWG: BD-1
PROJECT TITLE: <b>LUMBERTON EQUIPMENT SHOP</b> NCDOT HIGHWAY DIVISION 6  <b>872 NC 711 HIGHWAY</b> <b>LUMBERTON, NORTH CAROLINA 28360</b>		DESIGNER: <b>FACILITIES DESIGN</b> ARCHITECTS & ENGINEERS FACILITIES MANAGEMENT DIVISION, NCDOT  1 SOUTH WILMINGTON STREET RALEIGH, NORTH CAROLINA 27601 PHONE: 919/707-4540 FAX 919/715-0399	



02/20/18